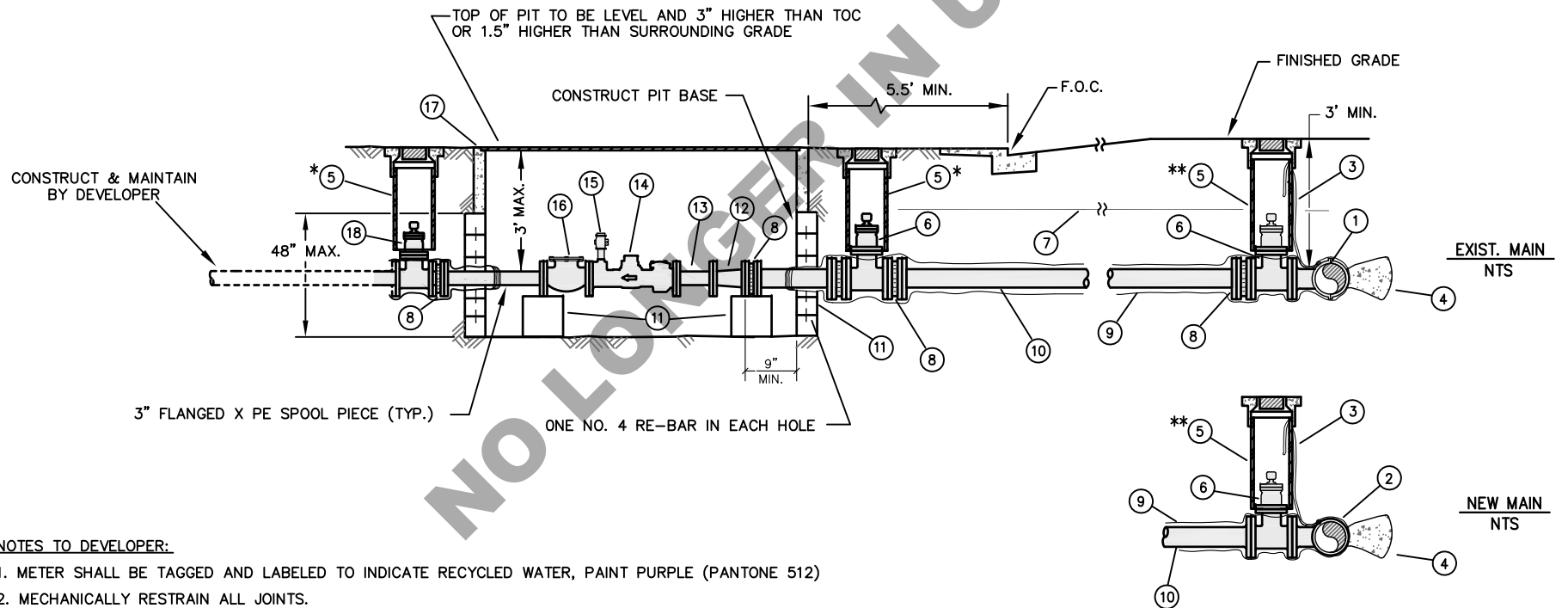
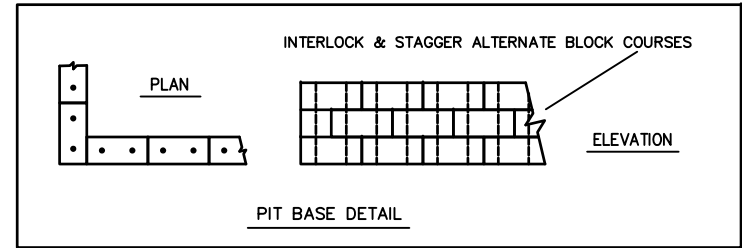


- ① TAPPING SLEEVE
- ② TEE MJ WITH FLANGED BRANCH
- ③ TRACER WIRE
- ④ THRUST BLOCK (SEE STANDARD NO. 21)
- ⑤ STD. TRAFFIC VALVE BOX & EXTENSION
* (SEE STANDARD NO. 19)
** (SEE STANDARD NO. 19 & 20)
- ⑥ 4" GATE VALVE, MJ X FLANGED
- ⑦ PIPE MARKING TAPE
- ⑧ RETAINING GLAND, TYP.
- ⑨ POLYWRAP (TAPE THE END TO MAIN)
- ⑩ 4" DUCTILE IRON PIPE
- ⑪ 8" X 8" X 16" STD. CONC. BUILD. BLOCK
- ⑫ REDUCER (4"x3"), FLANGED
- ⑬ 3" FLANGED X PE SPOOL PIECE (6" LENGTH)
- ⑭ 3" TURBINE METER AND STRAINER
- ⑮ TEST ASSEMBLY
- ⑯ 3" CHECK VALVE, FLANGED
- ⑰ CHRISTY R-33 PIT WITH LID (4' X 5')
- ⑱ 3" GATE VALVE, MJ X FLANGED



NOTES TO DEVELOPER:

- 1. METER SHALL BE TAGGED AND LABELED TO INDICATE RECYCLED WATER, PAINT PURPLE (PANTONE 512)
- 2. MECHANICALLY RESTRAIN ALL JOINTS.



Drawn By: D. LUU
 Checked By: L. AU
 Approved By: R. WILSON, R. ENOS
 Revised Date: MAY 2014

Signature:
Christopher Lohr
 Director of
 Water and Sewer Utilities

CITY OF SANTA CLARA
 WATER DEPT. - STANDARD NO. 9
3" RECYCLED WATER SERVICE

City of Santa Clara – Water & Sewer Utilities Department
Standard No. 9 – 3” Recycled Water Service – Material List

Revised Date: Nov./2014

Domestic Products Only.

Use 316 stainless steel bolts, flange gasket with EPDM rubber, nuts, and washers for all bolted connections.

Material	Description	Manufacturer	Model
1. Tapping Saddle	Mechanical joint with all accessories. -Ductile iron, cast iron, or PVC -AC pipe	Mueller H-615 Clow F-5205 Mueller H-619 Clow F-5207	
2. Tee	Mechanical joint with flanged branch. AWWA C-153 compact ductile iron with mechanical joint, cement lined with stainless steel bolts and gaskets	US Pipe Tyler Union	
3. Tracer Wire	RHW#12 AWG Solid. Tape to the top of the water main with 12" minimum slack inside all valve boxes		
4. Thrust Block	See City Standard No. 21		
5. Traffic Valve Box & Extension (see Standard Detail Nos. 19 & 20)	Valve Box with purple painted lid Extension - 8" PVC single piece cut to proper length. PIP Size SDR 51	Christy	G5 with lid marked "CSC-RW"
6. Gate Valve	4". MJ x Flanged. AWWA C-509 resilient seat, epoxy coated inside and out to meet AWWA C-550. Open left with 2" square operating nut. All rubber components shall be EPDM.	M&H Mueller Clow	Style 4067 A-2361 F-6106
7. Pipe Marking Tape	Purple. 3" wide, 4 mil, non-detectable.		
8. Retaining Gland	Joint restraint for use with mechanical joint fittings. Size as specified.	US Pipe (not allowed above ground) EBAA Uniflange	MJ Field Lok Megalug Series 1100 Series 1400 (DIP)
9. Polywrap	To be used for DIP. Purple. 8 mil low density or 4 mil high density polyethylene film installed per AWWA C105. Tape end to pipe with 10 mil tape.		
10. Pipe mechanically restrain all joints	Size and type as specified. -Ductile iron, cement lined Class 50. Protect with polywrap for underground pipe.	US Pipe Pacific States	
11. Building Block	Concrete. Standard 8" x 8" x 16".		
12. 4" x 3" Reducer	Ductile iron, cement lined Class 50, flanged		
13. Spool	Ductile iron, cement lined Class 50		
14. Water Meter & Register (manufacturer's test results are to be submitted with all meters).	With strainer and test plug. Purple recycled water encoded register that is Elster transmitter compatible with Nicor connector. All registers to be facing inlet and provide cubic feet reading.	Badger Sensus	3" Turbo Series 450 RECLAIMED/ test plug Omni T2 (industrial - more constant flow)
15. Test Assembly	Consisting of a brass nipple, ball valve and brass plug. See meter manufacturer's specifications for size.	Ball valve - Ford	B11 NL
16. Check Valve	3" valve, brass, flanged	Mueller	A-2600-06
17. Pit	4' x 5' pit with lid. Steel parkway, checker plate lid marked "RECYCLED WATER".	Christy	R-33
18. Gate Valve	3". See item 7.		