

MAINTAIN BY DEVELOPER,  
PRESSURE REGULATOR &  
GV IN SEPARATE BOX.

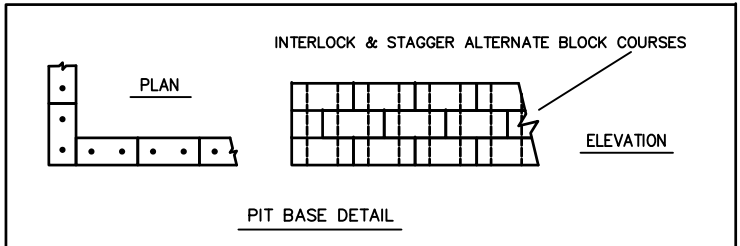
PLAN VIEW  
NTS

FLANGED COUPLING ADAPTER (TYP.)

**NOTE:**

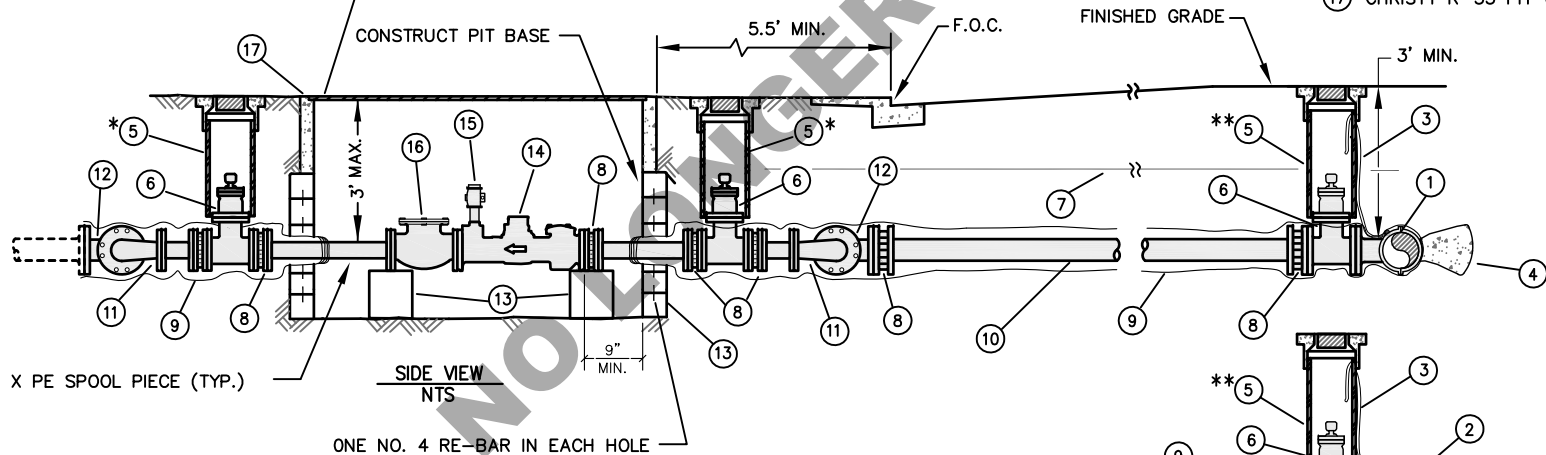
4" SERVICE USE TWO 3" METER  
6" SERVICE USE TWO 4" METER

- |  |   |
|--|---|
| ① TAPPING SLEEVE   | ⑦ PIPE MARKING TAPE                     |
| ② TEE MJ WITH FLANGED BRANCH   | ⑧ RETAINING GLAND, TYP.                 |
| ③ TRACER WIRE  | ⑨ POLYWRAP (TAPE THE END TO MAIN)       |
| ④ THRUST BLOCK<br>(SEE STANDARD NO. 21)  | ⑩ DUCTILE IRON PIPE                     |
| ⑤ STD. TRAFFIC VALVE BOX & EXTENSION<br>* (SEE STANDARD NO. 19)<br>** (SEE STANDARD NO. 19 & 20) | ⑪ REDUCING 90° BEND, FLANGED            |
| ⑥ GATE VALVE, MJ X FLANGED   | ⑫ TEE, FLANGED                          |
|  | ⑬ 8" X 8" X 16" STD. CONC. BUILD. BLOCK |
|  | ⑭ TURBINE METER AND STRAINER            |
|  | ⑮ TEST ASSEMBLY                         |
|  | ⑯ CHECK VALVE, FLANGED                  |
|  | ⑰ CHRISTY R-33 PIT WITH LID (4' X 5')   |



PIT BASE DETAIL

TOP OF PIT TO BE LEVEL AND 3" HIGHER THAN TOC  
OR 1.5" HIGHER THAN SURROUNDING GRADE



FLANGED X PE SPOOL PIECE (TYP.)

SIDE VIEW  
NTS

ONE NO. 4 RE-BAR IN EACH HOLE

**NOTES TO DEVELOPER:**

- METER SHALL BE TAGGED AND LABELED TO INDICATE RECYCLED WATER, PAINT PURPLE (PANTONE 512)
- MECHANICALLY RESTRAIN ALL JOINTS.



Drawn By: **D. LUU**  
 Checked By: **L. AU**  
 Approved By: **R. WILSON, R. ENOS**  
 Revised Date: **MAY 2014**

Signature:  
*Christopher Colebrook*  
 Director of  
 Water and Sewer Utilities

CITY OF SANTA CLARA  
 WATER DEPT. - STANDARD NO. 14

**4" & 6" RECYCLED WATER SERVICE  
 (DUAL METER SERVICE)**

## Standard No. 14 – 4” &amp; 6” Recycled Water Service (Dual Meter Service) – Material List

## Domestic Products Only.

Use 316 stainless steel bolts, flange gasket with EPDM rubber, nuts, and washers for all bolted connections.

Material	Description	Manufacturer	Model
1. Tapping Saddle	Mechanical joint with all accessories. -Ductile iron, cast iron, or PVC	Mueller H-615 Clow F-5205	
	-AC pipe	Mueller H-619 Clow F-5207	
2. Tee	Mechanical joint with flanged branch. AWWA C-153 compact ductile iron with mechanical joint, cement lined with stainless steel bolts and gaskets	US Pipe Tyler Union	
3. Tracer Wire	RHW#12 AWG Solid. Tape to the top of the water main with 12" minimum slack inside all valve boxes		
4. Thrust Block	See City Standard No. 21		
5. Traffic Valve Box & Extension (see Standard Detail Nos. 19 & 20)	Valve Box with purple painted lid	Christy	G5 with lid marked "CSC-RW"
	Extension - 8" PVC SDR 35, single piece cut to proper length.		
6. Gate Valve	4". MJ x Flanged. AWWA C-509 resilient seat, epoxy coated inside and out to meet AWWA C-550. Open left with 2" square operating nut. All rubber components shall be EPDM.	M&H Mueller Clow	Style 4067 A-2361 F-6106
7. Pipe Marking Tape	Purple. 3" wide, 4 mil, non-detectable.		
8. Retaining Gland	Joint restraint for use with mechanical joint fittings. Size as specified.	US Pipe (not allowed above ground)	MJ Field Lok
		EBAA Uniflange	Megalug Series 1100 Series 1400 (DIP)
9. Polywrap	To be used for DIP. Purple. 8 mil low density or 4 mil high density polyethylene film installed per AWWA C105. Tape end to pipe with 10 mil tape.		
10. Pipe mechanically restrain all joints	Size and type as specified.		
	-Ductile iron, cement lined Class 50. Protect with polywrap for underground pipe.	US Pipe Pacific States	
11. Reducing 90 Degree Bend	Flanged, AWWA C-110 ductile iron, cement lined.	US Pipe	
		Tyler Union	
12. Tee	Flanged, AWWA C-110 ductile iron, cement lined.	US Pipe	
		Tyler Union	
13. Building Block	Concrete. Standard 8" x 8" x 16".		
14. Water Meter & Register (manufacturer's test results are to be submitted with all meters).	With strainer and test plug. Purple recycled water encoded register that is Elster transmitter compatible with Nicor connector. All registers to be facing inlet and provide cubic feet reading.	Badger	Turbo Series 450 RECLAIMED/ test plug
		Sensus	Omni T2 (industrial - more constant flow)
15. Test Assembly	Consisting of a brass nipple, ball valve and brass plug. See meter manufacturer's specifications for size.	Ball valve - Ford	B11-NL
16. Check Valve	Brass, flanged	Mueller	A-2600-06
17. Pit	Include steel parkway, checker plate lid marked "RECYCLED WATER".	Christy	R-33 (4' x 5')