

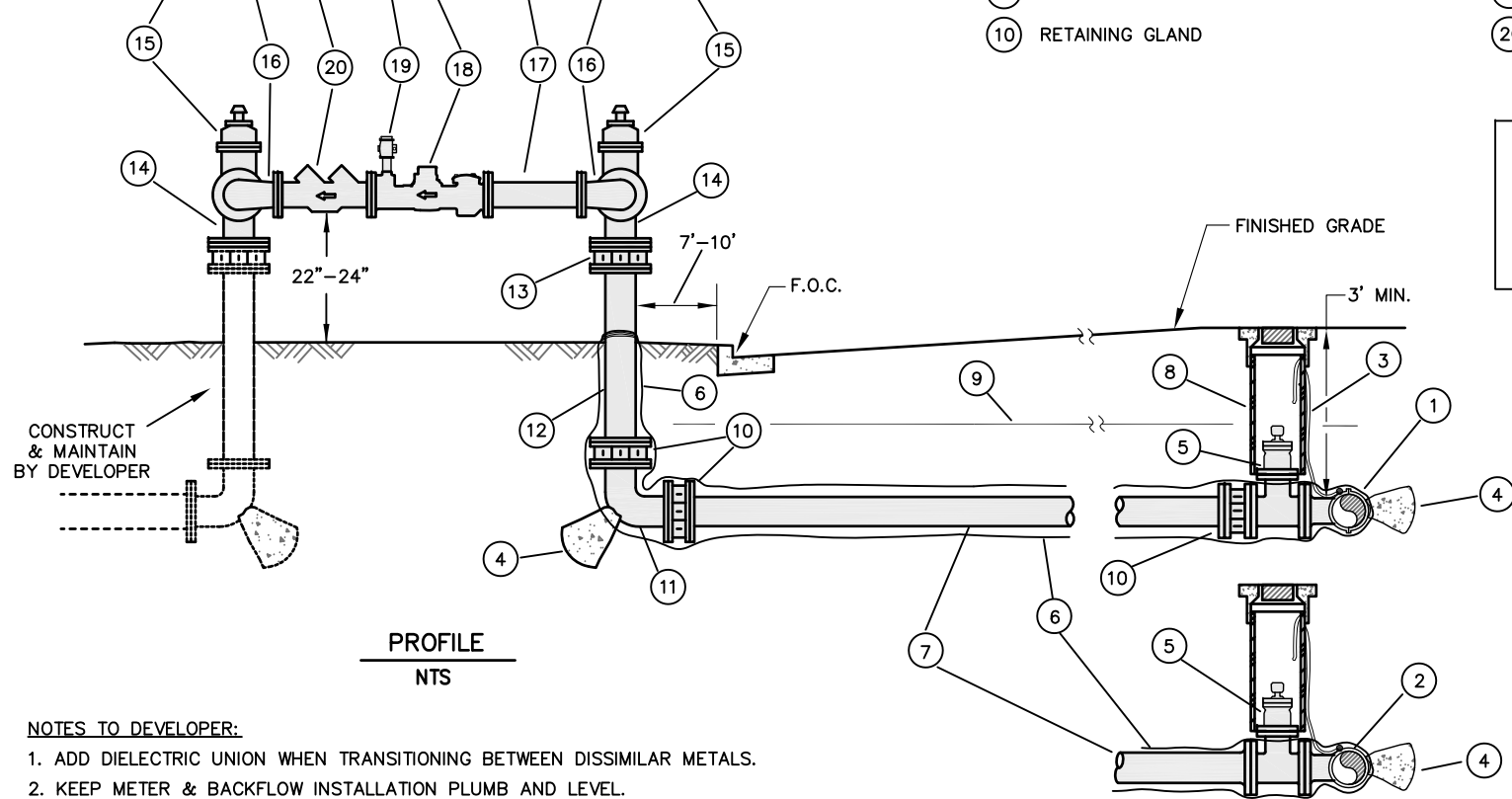
PLAN
N.T.S.

CONSTRUCT & MAINTAIN BY DEVELOPER

PROFILE
N.T.S.

- ① TAPPING SLEEVE, MJ
- ② TEE MJ WITH FLANGED BRANCH
- ③ TRACER WIRE
- ④ THRUST BLOCK (SEE STANDARD NO. 21)
- ⑤ GATE VALVE, MJ X FLANGED
- ⑥ POLYWRAP (TAPE THE END TO MAIN)
- ⑦ DUCTILE IRON PIPE
- ⑧ STD. TRAFFIC VALVE BOX & EXTENSION (SEE STANDARD NO. 19 & 20)
- ⑨ PIPE MARKING TAPE
- ⑩ RETAINING GLAND
- ⑪ 90° BEND, MJ X FLANGED
- ⑫ SPOOL, DIP
- ⑬ MJ X FLANGE ADAPTER, RESTRAINED
- ⑭ TEE, FLANGED
- ⑮ GATE VALVE, FLANGED
- ⑯ REDUCING 90° BEND, FLANGED
- ⑰ 6" FLANGED X PE SPOOL PIECE
- ⑱ TURBINE METER
- ⑲ TEST ASSEMBLY
- ⑳ RP BACKFLOW PREVENTION DEVICE, SAME SIZE AS METER

NOTE:
 4" SERVICE USE TWO 3" METERS
 6" SERVICE USE TWO 4" METERS
 8" SERVICE USE TWO 6" METERS



EXIST. MAIN
N.T.S.

NEW MAIN
N.T.S.

NOTES TO DEVELOPER:

- 1. ADD DIELECTRIC UNION WHEN TRANSITIONING BETWEEN DISSIMILAR METALS.
- 2. KEEP METER & BACKFLOW INSTALLATION PLUMB AND LEVEL.
- 3. MECHANICALLY RESTRAIN ALL JOINTS.



Drawn By: D. LUU
 Checked By: L. AU
 Approved By: R. WILSON, R. ENOS
 Revised Date: MAY 2014

Signature:
Christopher L. Enos
 Director of
 Water and Sewer Utilities

CITY OF SANTA CLARA
 WATER DEPT. - STANDARD NO. 12
4", 6" & 8" WATER SERVICE W/RP
 (DUAL METER SERVICE)

Standard No. 12 – 4", 6", & 8" Water Service with RP (Dual Meter Service) – Material List**Domestic Products Only. Use 316 stainless steel bolts, flange gasket with EPDM rubber, nuts, and washers for all bolted connections.****Use no lead products for domestic water services.****Coat above ground water service with Dunn Edwards Paint #10-L, 11-789-04 Santa Clara Mission Sand, Syn Lustrro.****Provide 3-foot clearance around service above ground.**

Material	Description	Manufacturer	Model
1. Tapping Sleeve	Mechanical joint with all accessories. -Ductile iron, cast iron, or PVC -AC pipe	Mueller H-615 Clow F-5205 Mueller H-619 Clow F-5207	
2. Tee	Mechanical joint with flanged branch. AWWA C-153 compact ductile iron, cement lined with stainless steel bolts and gaskets	US Pipe Tyler Union	
3. Tracer Wire	RHW#12 AWG Solid. Tape to the top of the water main with 12" minimum slack inside all valve boxes		
4. Thrust Block	See City Standard No. 21		
5. Gate Valve	MJ x Flanged. AWWA C-509 resilient seat, epoxy coated inside and out to meet AWWA C-550. Open left with 2" square operating nut. All rubber components shall be EPDM.	M&H Mueller Clow	Style 4067 A-2361 F-6106
6. Polywrap	To be used for DIP. Blue. 8 mil low density or 4 mil high density polyethylene film installed per AWWA C105. Tape end to pipe with 10 mil tape.		
7. Pipe mechanically restrain all joints	Size and type as specified. -Ductile iron, cement lined Class 50. Protect with polywrap for underground pipe.	US Pipe Pacific States	
8. Traffic Valve Box & Extension (see Standard Detail Nos. 19 & 20)	Valve Box Extension - 8" PVC SDR 35, single piece cut to proper length.	Christy	G5 with lid marked "Water"
9. Pipe Marking Tape	Blue. 3" wide, 4 mil, non-detectable.		
10. Retaining Gland	Joint restraint for use with mechanical joint fittings. Size as specified.	US Pipe (not allowed above ground) EBAA Uniflange	MJ Field Lok Megalug Series 1100 Series 1400 (DIP)
11. 90 Degree Bend with Mechanical Joint	AWWA C-153 ductile iron with mechanical joint, cement lined with stainless steel bolts and gaskets	US Pipe Tyler Union	
12. Spool	Ductile iron, cement lined Class 50 with restrained adapter flange.		
13. MJ x Flange Adapter	AWWA C-153 ductile iron, restrained.	Tyler Union Trinity / USP	#5-158 With megalug restraining gland
14. Tee	Flanged. Size as specified. AWWA C-110 ductile iron, cement-lined.	US Pipe Tyler Union	
15. Gate Valve	Flanged. AWWA C-509 resilient seat, epoxy coated inside and out to meet AWWA C-550. Open left with 2" square operating nut. All rubber components shall be EPDM.	M&H Mueller Clow	Style 4067 A-2360 F-6102
16. Reducing 90 Degree Bend	Flanged, AWWA C-110 ductile iron, cement lined.	US Pipe Tyler Union	
17. Pipe mechanically restrain all joints	Flanged. Length = 3x diameter. Ductile iron, cement lined Class 50	US Pipe Pacific States	
18. Meter and Register (manufacturer's test results are to be submitted with all meters).	Turbine meter with strainer and test plug. Provide Elster transmitter compatible encoded register with Nicor connector. All registers to be facing inlet and provide cubic feet reading.	Sensus Sensus	Omni T2 (industrial - more constant flow) Omni C2 (varying flow)
19. Test Assembly	Consisting of a brass nipple, ball valve and brass plug. See meter manufacturer's specifications for size.	Ball valve - Ford	B11-NL
20. Reduced Pressure Backflow Prevention Device	Same size as meter. Reduced pressure zone assembly	Watts Wilkins	LF 909 375XL