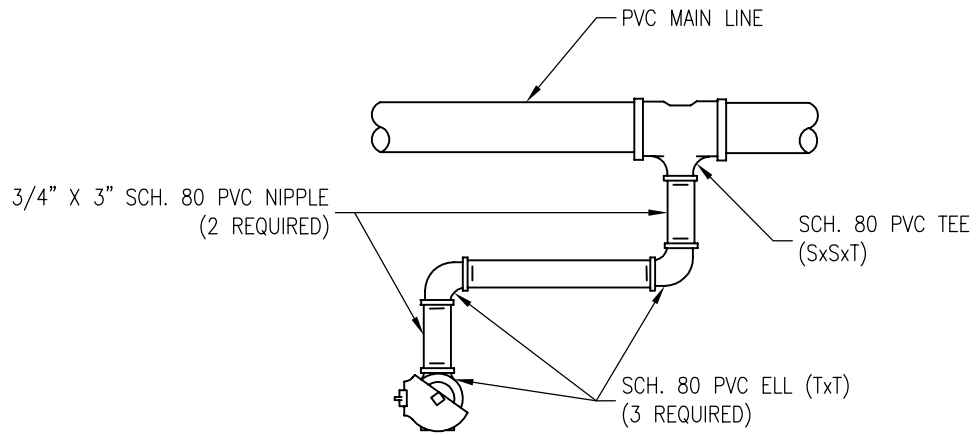


ELEVATION VIEW
NO SCALE



PLAN VIEW
NO SCALE



DRAWN BY: M. LEE
 CHECKED BY: J. MENDOZA
 APPROVED BY: G. GOMEZ
 DATE: DECEMBER 2002

QUICK COUPLER
 CITY OF SANTA CLARA

LS-10

PAGE: 55